



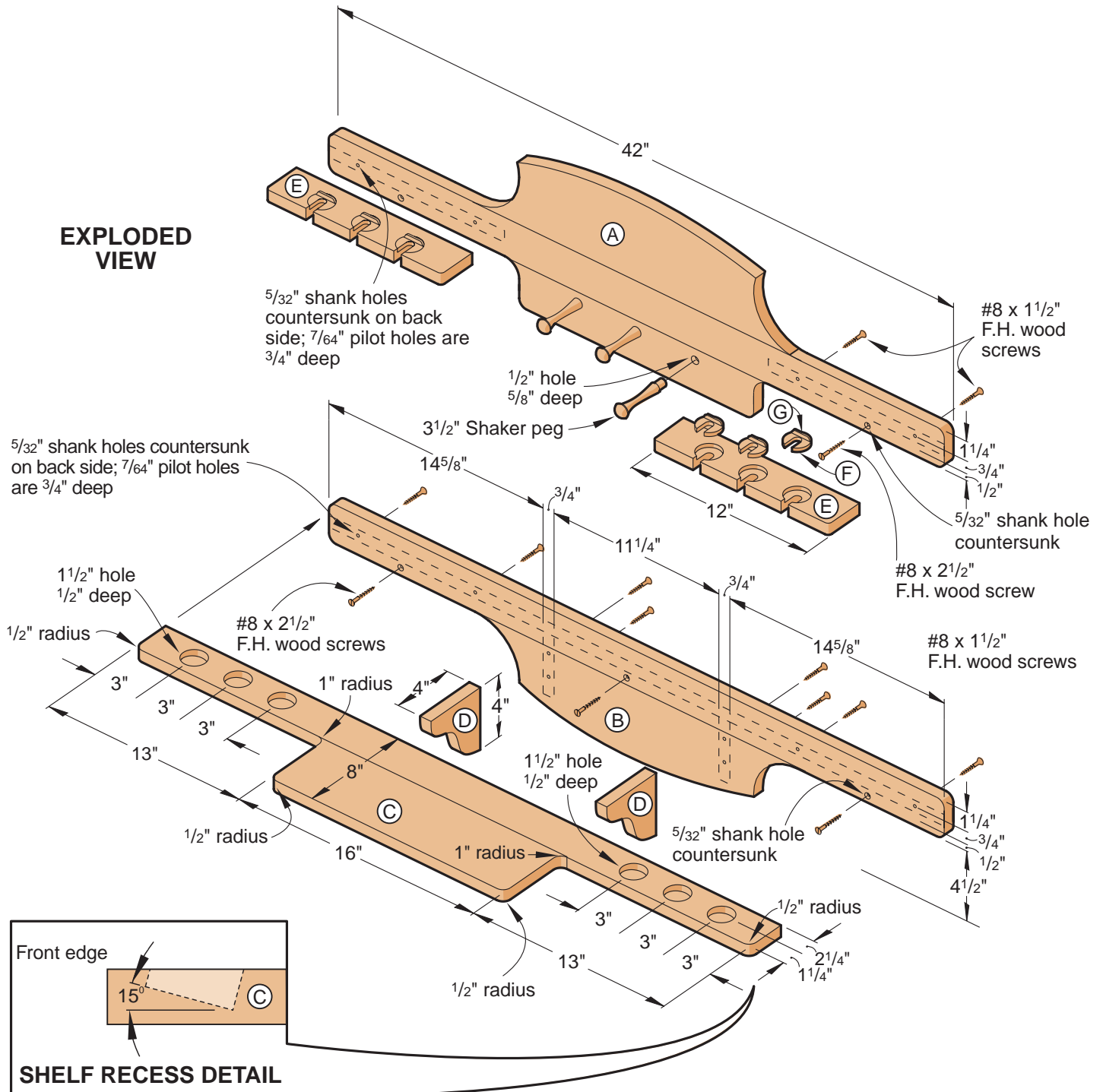
The Fisherman's Friend



Hook into this fantastic rod rack

If you're a fisherman who has everything—and nowhere to store anything—take heart. With this handsome piece hanging in your den or basement, you'll have a haven for six rods and reels, a creel or tackle box, and that favorite vest that's never had the good luck washed out of it.

EXPLODED VIEW



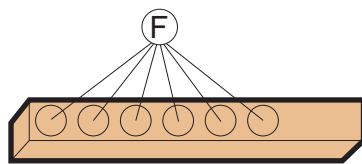
Bill of Materials

Part	Finished Size			Mati.	Qty.
	T	W	L		
A* upper back	3/4"	10 1/2"	42"	EW	1
B* lower back	3/4"	7"	42"	EW	1
C* shelf	3/4"	8"	42"	EW	1
D brackets	3/4"	4"	4"	W	2
E rod retainers	3/4"	3 1/2"	12"	W	2
F discs	1/4"	1 11/32" dia.		M	6
G disc handles	1/8"	3/8"	1 3/8"	W	6

*Edge-join this part during construction. Please read all instructions before cutting.

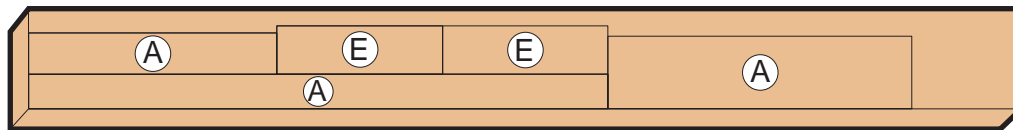
Materials Key: W—walnut; EW—edge-joined walnut; M—maple.

Supplies: #8×1 1/2", #8×2 1/2" flathead wood screws; 3 1/2" walnut Shaker pegs; adhesive-backed felt; tung-oil finish; fast-drying polyurethane spray.

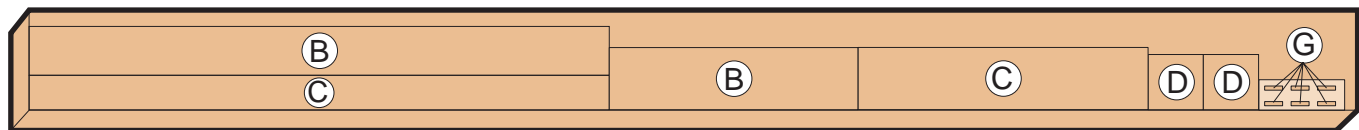


3/4" x 2" x 16" Maple

CUTTING DIAGRAM



3/4" x 7 1/4" x 48" Walnut



3/4" x 7 1/4" x 72" Walnut

First, edge-join and bandsaw the big parts

1 To make the upper back (A), the lower back (B), and the shelf (C), start with 96" and 72" lengths of 3/4×7 1/4" stock. (We selected walnut.) Using the Cutting Diagram for reference, rip and crosscut the pieces for these parts to the following dimensions: 2 5/8×43", 3 1/8×19", and 5 3/8×23" for the upper back; 3 5/8×43" and 4 5/8×19" for the lower back; and 2 5/8×43" and 4 5/8×22" for the shelf.

2 Use your jointer to plane the mating edges of all pieces where shown on the Exploded View drawing. Mark these mating surfaces. Now, edge-glue and clamp the upper back, and

and shelf. Wipe off any glue squeeze-out with a damp cloth, and allow the glue to dry.

3 Rip and crosscut two brackets (D) to 4×4" and two rod retainers (E) to 3 1/2×12" where shown on the Cutting Diagram. Draw a 1/2" radius at each front corner of the retainers where shown on the Rod Retainer drawing on *page 4*, and bandsaw to shape.

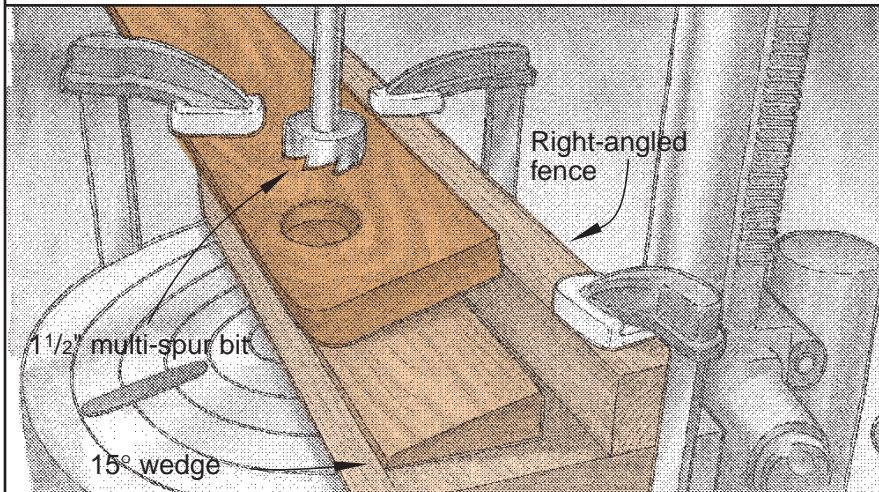
4 Stack the two brackets using double-faced carpet tape. Lay out the gridded Upper Back, Lower Back, and Bracket patterns shown on *page 7* in full size on large sheets of paper. (We keep a roll of butcher paper in our shop for this purpose.

Cut out and adhere the patterns to the stock. (We used a spray adhesive.) Now, bandsaw the pieces to shape, keeping your blade outside the line. (We used a 1/4" blade.)

5 Chuck a coarse-grit, 1"-diameter drum sander into your drill press, and sand the bandsawed parts to the line. Now, follow up with a fine-grit drum sander.

6 Lay out and countersink shank holes on the back face of the upper back and lower back where shown on the gridded patterns and as dimensioned on the Exploded View drawing. Position and clamp the shelf, brackets, and rod retainers, then drill the pilot holes to the dimensions shown.

DRILLING THE SHELF RECESSES



(We used our drill press for the shank holes, our portable drill with a depth stop for the pilot holes, and brad-point bits for both.) Now, unclamp the parts. **7** Lay out and bore three 1/2" holes 5/8" deep on the upper back for the Shaker pegs where shown on the gridded pattern. (We used a Forstner bit in our drill press.)

Make the rod-holding recesses, then assemble your rack

Note: For a simpler rod-holding alternative, see the Catch Option detail on the Rod Retainer drawing below.

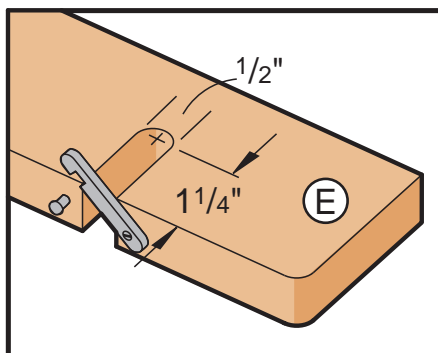
1 Lay out the recesses on the shelf where shown on the Exploded View drawing. Cut a 15° wedge from a 3×18" piece of 3/4"-thick scrap. To do this, tilt your tablesaw blade to 15° from perpendicular, set

your fence 3/4" from the blade, and bevel-cut the piece. Make a right-angled fence from two 18" lengths of 1 1/2"-thick scrap as shown above. Position and clamp it to your drill-press table. Clamp the wedge and a 3/4×3 1/2×18" scrap piece to the fence to test your depth setting. Chuck a 1 1/2" multi-spur bit into your drill press, and bore test holes to adjust the depth on the deep side of the recess to 1/2". Now, clamp the shelf and wedge to the fence as shown, and bore the six recesses. (We set our drill-press speed at 250 rpm.)

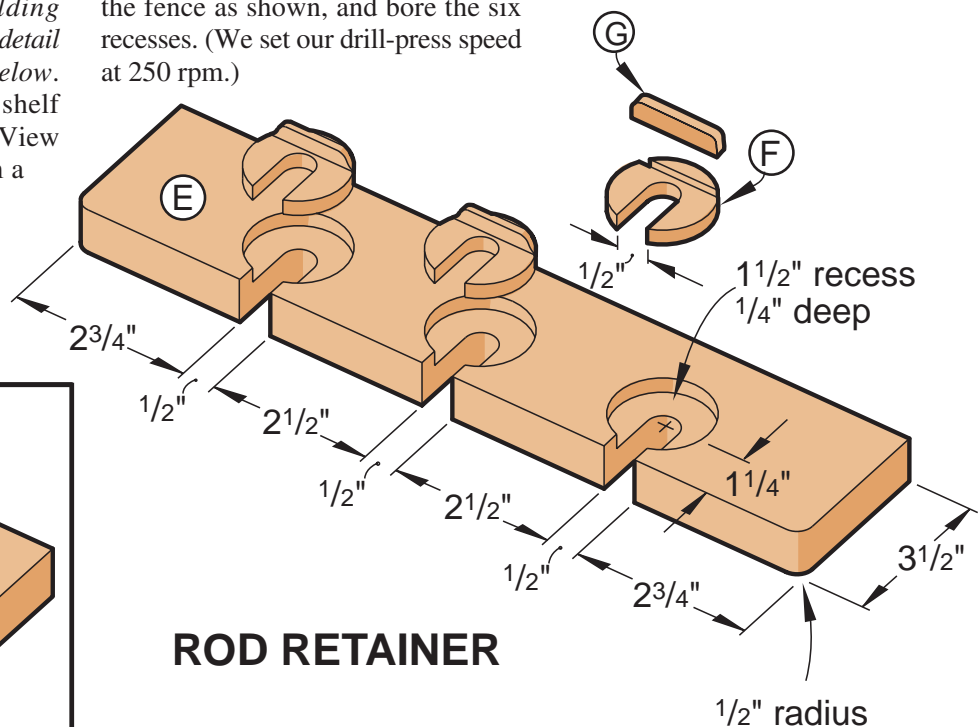
TIP To separate stock pieces adhered with double-faced carpet tape, splash a bit of acetone or lacquer thinner on the edges, and allow it to penetrate the adhesive.

2 Lay out and bore the three recesses in each rod retainer where shown on the Rod Retainer drawing. (We first bored some 1 1/2"-diameter test holes in a piece of scrap to adjust the depth to 1/4". After we bored our rod retainers, we bored seven more recesses in this scrap piece, marked these recesses "good," and saved the piece for later use.)

3 Bore a centered 1/2" hole through each recess in the rod retainers.



CATCH OPTION



ROD RETAINER

(We used a Forstner bit and a backup board to prevent tear-out.) To cut slots in the rod-retainer recesses, fit your tablesaw with a fine-toothed blade, and set the blade height to 1/4". Use your combination square to lay out the slots on the back face of the rod retainers where shown on the Rod Retainer drawing. Attach a wooden auxiliary fence to your miter gauge, and stand each rod retainer on its front edge against the fence. Align the blade with the lines you laid out, clamp the rod retainer to the fence, and cut the slots.

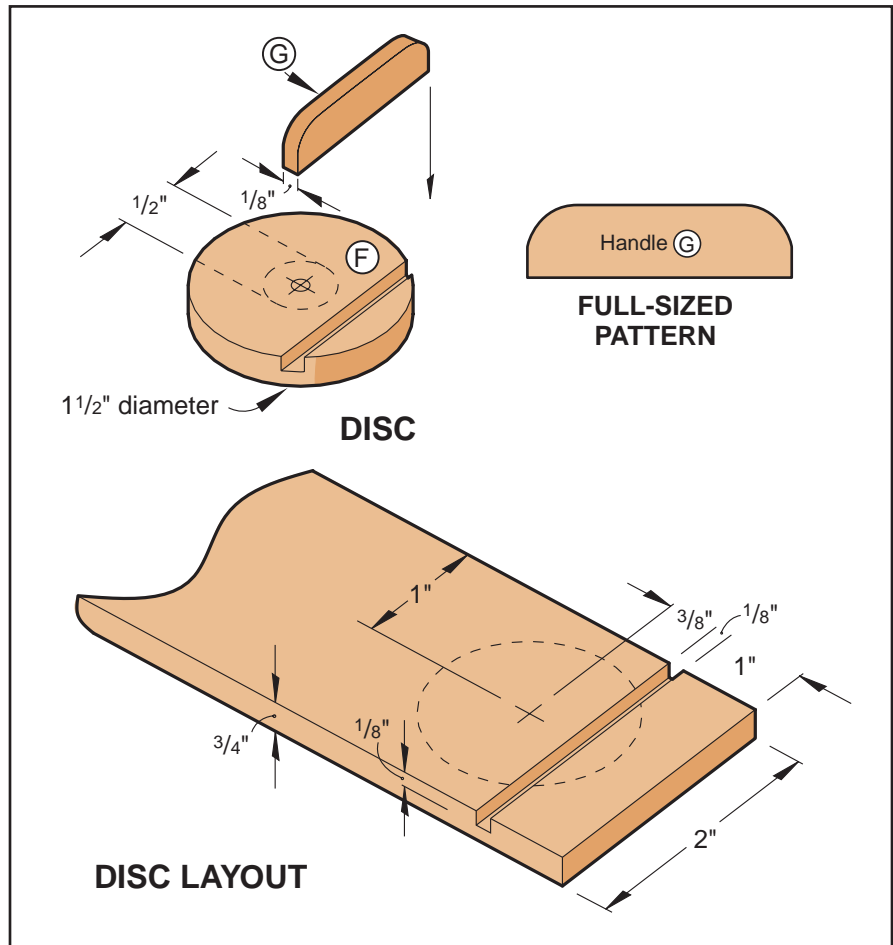
4 Fit your table-mounted router with a 1/16" round-over bit, and rout the front edges of the upper and lower backs. Now, rout all edges of the shelf, rod retainers, and brackets except those on the mating surfaces.

5 Finish-sand all parts. (We used a palm sander with 100-, 150-, and then 220-grit sandpaper.) Next, sand three 3 1/2" walnut Shaker pegs with 1/2"-diameter tenons. (We found ours at a local hardwood lumber store.) Glue them into the holes on the upper back. Then, assemble all parts using glue and #8x1 1/2" flathead wood screws.

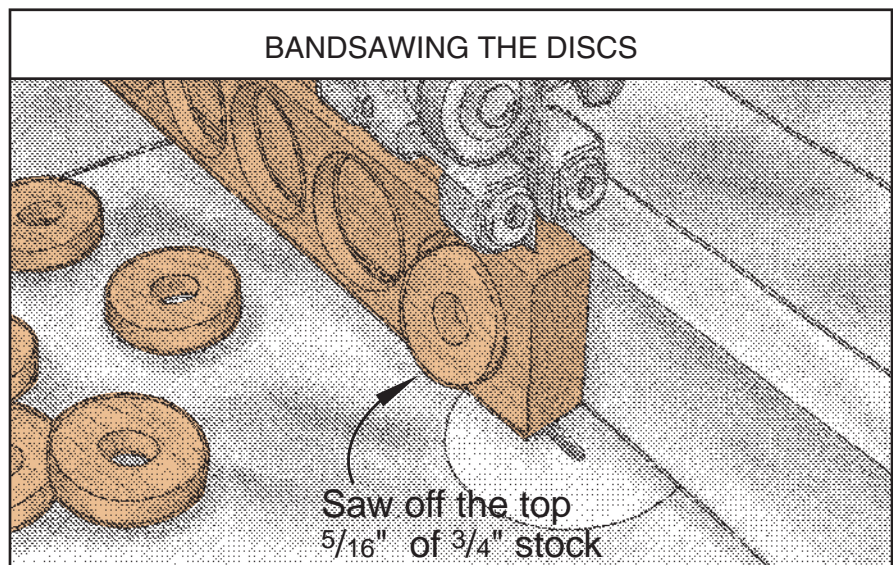
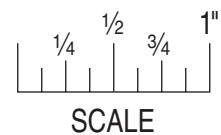
Now, machine the rod-holding discs

1 On a 3/4x2x16" piece of contrasting stock, lay out six or seven discs (F) as dimensioned on the Disc drawing *at right*. (We chose maple and laid out seven discs so we'd have a spare.) To do this, mark a line 1" from the end and every 2" thereafter. At each mark, use your combination square to lay out a perpendicular 1/8"-wide handle slot across the face and both edges. Then, lay out a centerpoint for each disc where shown. (**Note:** *In laying out your discs, make sure that the handle slots run across the grain.*)

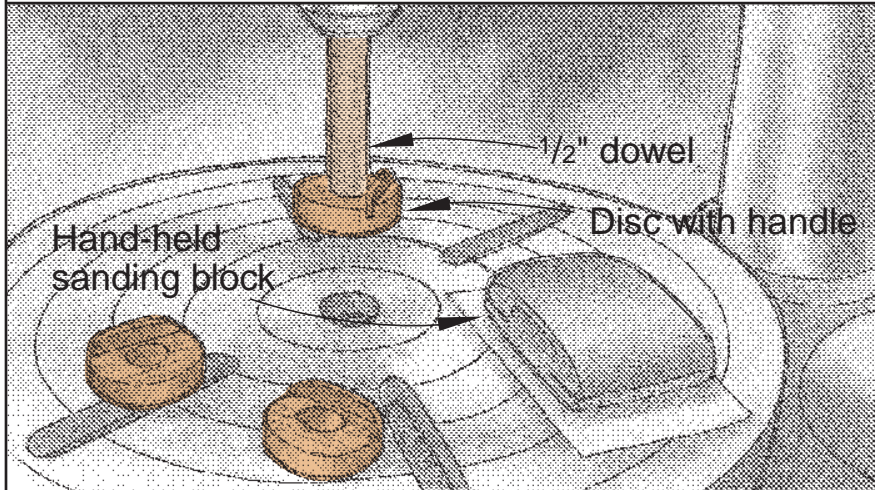
2 Cut the discs using a circle-cutting bit in your drill press. First, turn the vertical edge of the bit to the inside to cut a clean disc (rather than a clean hole). Next, adjust the diameter to 1 5/32". Set the depth of cut to 5/8", then run a couple of test discs to check the diameter and depth.



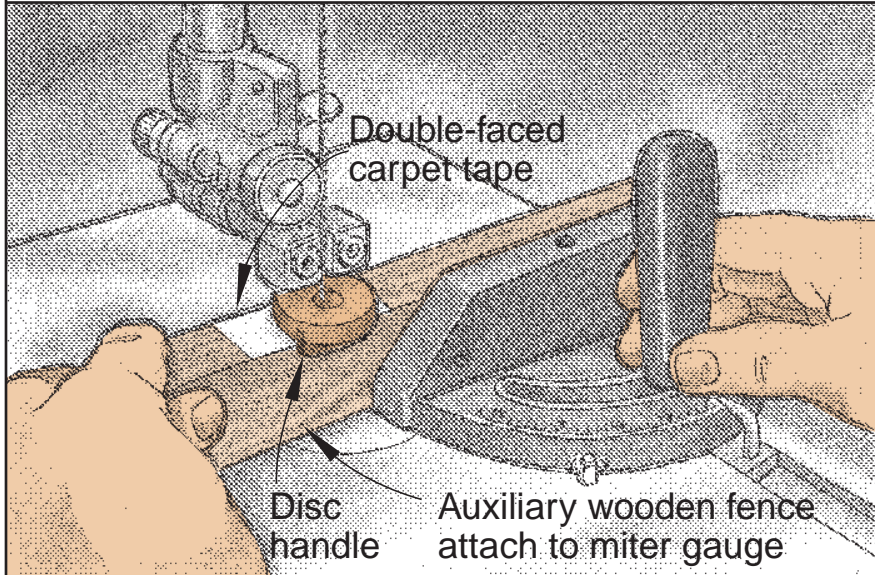
To ensure full-sized patterns are correct size, your printer should be set to print at 100% (not fit to page). Measure full-sized patterns to verify size.



SANDING THE DISCS



BANDSAWING THE DISC SLOTS



3 Enlarge the $\frac{1}{4}$ " holes made by the circle-cutting bit to $\frac{1}{2}$ ". (We used a Forstner bit.) Now, use your tablesaw and miter gauge to cut the $\frac{1}{8}$ "-wide handle slots $\frac{1}{8}$ " deep. To do this, set your blade height to $\frac{1}{8}$ ", and attach an auxiliary wooden fence to your miter gauge.

4 Next, use your bandsaw and fence to slice off the discs to a thickness of $\frac{5}{16}$ " as shown on page 5. Insert the discs in the seven "good" recesses on the scrap piece you bored in Step 2 of the previous section. Sand one face and then the other until the discs are flush with the surface.

5 Make the disc handles (G) by first ripping and crosscutting a 2×12 " piece of leftover walnut stock. Use your bandsaw and fence to saw a $\frac{1}{8}$ "-thick slice off the face. Sand the piece smooth on both faces, then crosscut it in half. Stack the halves using double-faced carpet tape. Adhere three copies (or four if you made seven discs) of the full-sized Disc Handle pattern shown on page 7 to one face. (We photocopied ours and adhered them using a spray adhesive.) Saw the handles to shape, separate the pieces, and glue a handle into each disc slot.

6 When the glue has dried, sand the disc edges (including the handles) until they turn freely but still fit snugly in the recesses. (We chucked a $\frac{1}{2}$ " dowel into our drill press and fitted each disc onto the end of it as shown *opposite*. Then, we hand-held a sanding block with 120-grit sandpaper and ran our drill press at 500 rpm.) Now, sand the handle edges as necessary. (We used our stationary disc sander.)

7 Next, bandsaw the $\frac{1}{2}$ "-wide slot in each disc. (We attached a $1 \times 1\frac{1}{2} \times 12$ " auxiliary wooden fence with the edge up to our bandsaw miter gauge as shown. We adhered a strip of double-faced carpet tape across the fence and then sawed a kerf two-thirds of the way through the fence and tape. We adhered each disc to the tape facedown, butting the handle up against the back face of the fence and aligning one edge of the hole with the kerf. We bandsawed one side of the slot on all discs, then repositioned the fence to saw the other side.)

You're nearly ready to display your gear

1 Apply the finish of your choice to the rack and the discs. (We brushed a tung-oil finish on the rack, wiped off the excess, and allowed it to dry for six hours. We repeated this procedure until we had applied three coats, allowing the third coat to dry overnight. Then, we sprayed on a coat of fast-drying semigloss polyurethane as a sanding sealer. We sanded lightly with 320-grit sandpaper, then sprayed on two additional coats, sanding between coats. We used 000 synthetic steel wool to smooth the contoured surfaces. Finally, we sprayed the discs with two coats of fast-drying polyurethane.)

2 Allow all parts to dry overnight. Then, scrollsaw a decorative scene if you wish, and adhere it to the center of the upper back. We sprayed our scrollsawed pieces with two coats of fast-drying polyurethane.

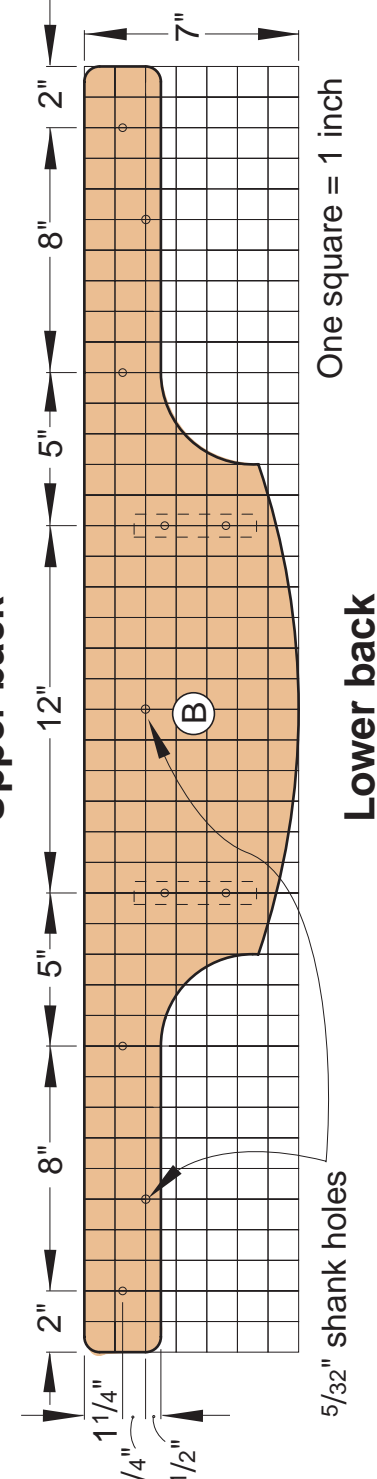
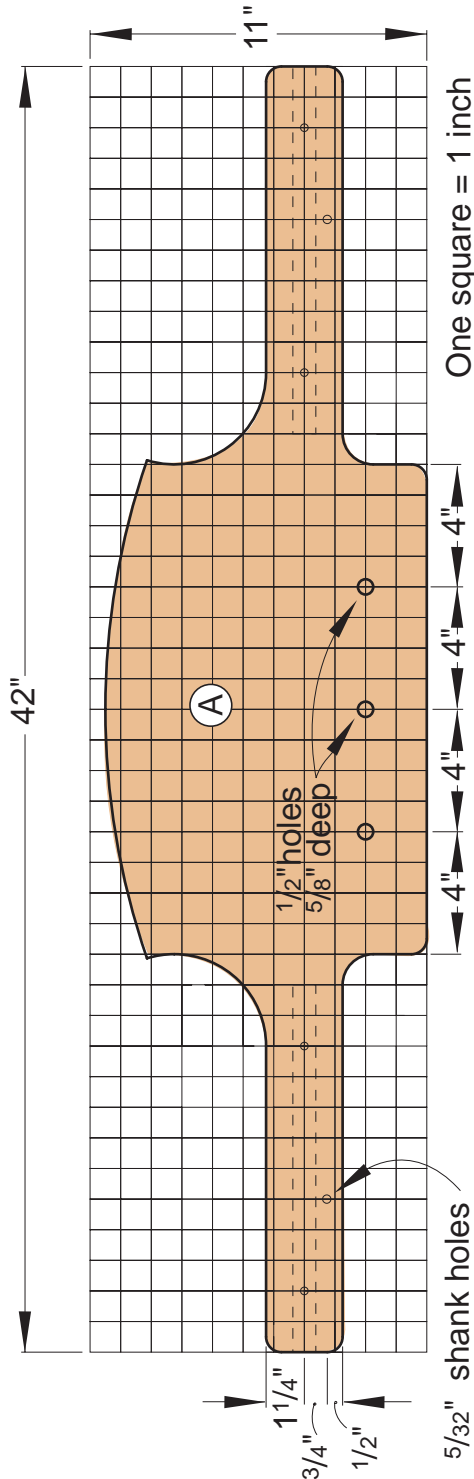
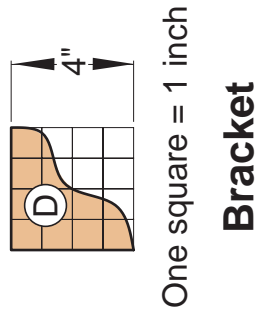
When the polyurethane had dried, we mounted them using Franklin Countertop contact cement, a low-odor, nonflammable adhesive we bought at our local home center.)

3 Line the bottoms of the shelf recesses with adhesive-backed felt. (We used kelly-green felt, which we found at a local crafts store.)

4 Locate three consecutive studs in the wall you've selected. Lay out and drill $\frac{5}{32}$ " countersunk shank holes through the front faces of both assemblies (two holes on the upper back and three on the lower back) where shown on the gridded patterns. Drill $\frac{7}{64}$ " pilot holes $1\frac{3}{4}$ " deep in the studs, and mount the rack using $\#8 \times 2\frac{1}{2}$ " black flathead wood screws. 🪛

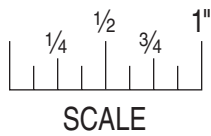
Produced by: Marlen Kemmet
 Project Design: Bob Colpetzer
 Illustrations: Roxanne LeMoine
 Graphic Design: Jamie Downing
 ©COPYRIGHT MEREDITH CORPORATION 1997

The purchase of these plans does not transfer any copyright or other ownership interest in the plans, the design, or the finished project to the buyer. Buyer may neither reproduce the plans for sale nor offer for sale any copies of the finished project.

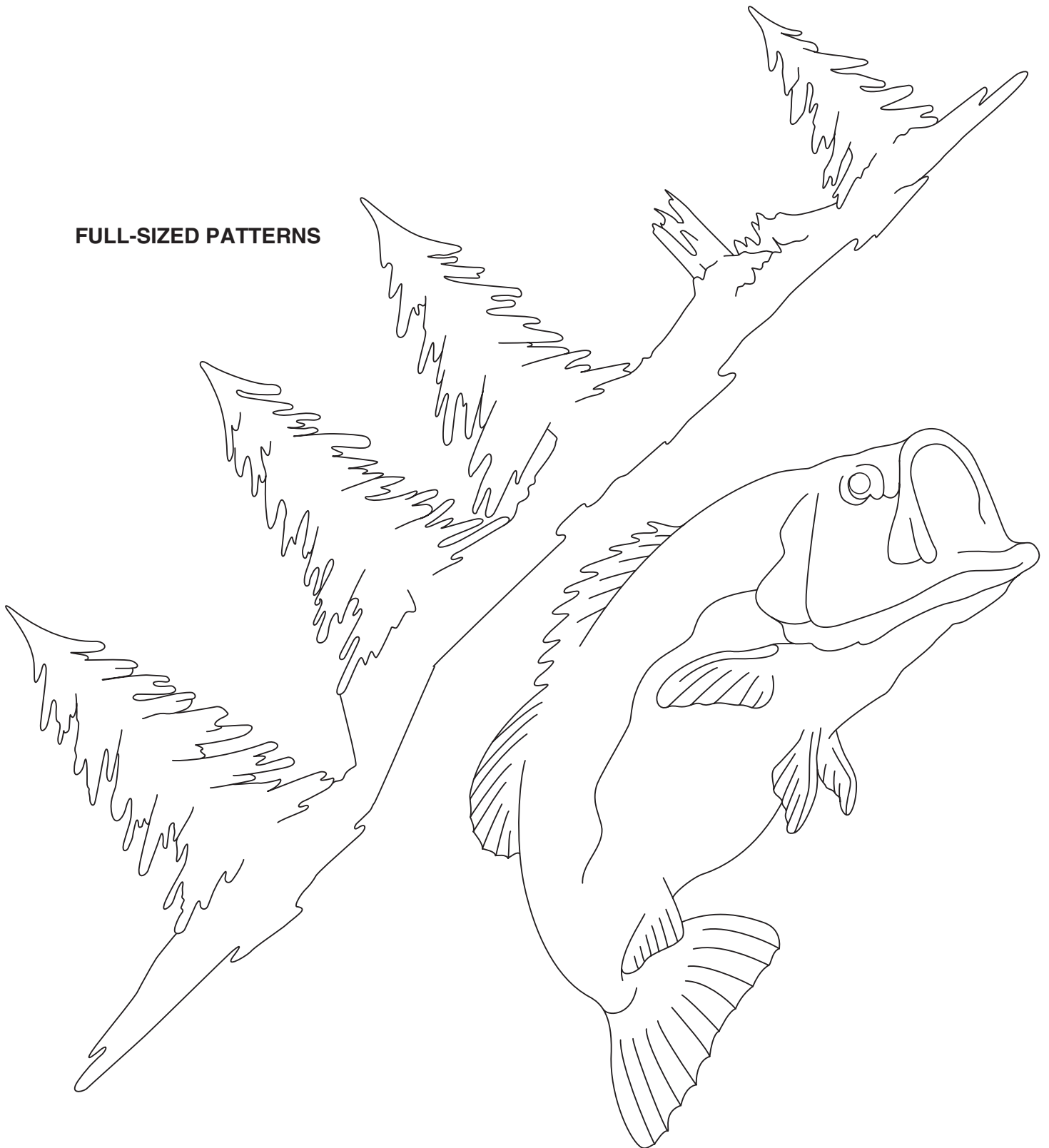


GRIDDED PATTERNS

To ensure full-sized patterns are correct size, your printer should be set to print at 100% (not fit to page). Measure full-sized patterns to verify size.



FULL-SIZED PATTERNS



FULL-SIZED PATTERNS

